

Pressure Gauges / General Purpose Gauges / Vacuum & Mano-Vacuum Gauges / Ø 40 mm.

CONSTRUCTIVE PROPERTIES

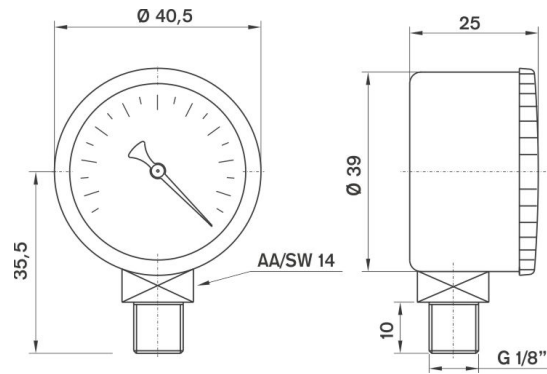
	STANDARD	OPTIONAL
Mounting Type	Bottom Connection	See Technical Drawing
Scale Unit	bar/psi	kg/cm ² atm Pa mmH ₂ O mmHg psi inH ₂ O inHg (*) bar
Scale Range (PN)	-1/0 -1/0,6 -1/1,5 -1 / 9	-1/15 -1/24 -1/3 -1/5
Case	Plastic	Steel (Black Enamelled)
Window	Polycarbonate	Acrylic
Movement	Brass	-
Wetted Parts	Copper Alloy	-
Connection	G 1/8" B	1/8" NPT
Dial	Aluminum	-
Pointer	Plastic	Aluminum
Welding	Soldering	Hard Soldering



MG040DRP1-V
Bottom Connection

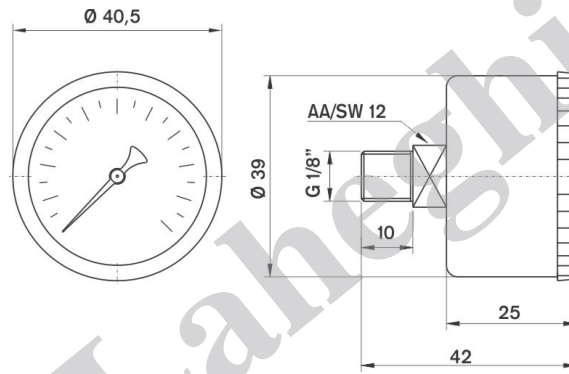
USAGE PROPERTIES

Fluid Temperature	Maximum + 60 °C	Maximum + 120 °C
Ambient Temperature	- 20 ... + 60 °C	-
Operating Pressure (max.)	Must not exceed %75' of full scale.	
Over Pressure Limit	≤40 bar PN x 1.25	>40 bar PN x 1.15
Accuracy Class	CL 2.5	-
Protection Rate	IP 41	-
Optimum Operating Range	Between 0,1 x PN and 0,75 x PN	
Storage Temperature	-40 ... +70 °C	-
Conformity	EN 837 - 1	-
Mechanical Shock Test Load	15g	-
Mechanical Vibration Test	10 Hz ile 150 Hz -1 oktav/dk. 2s / 3 eksende	



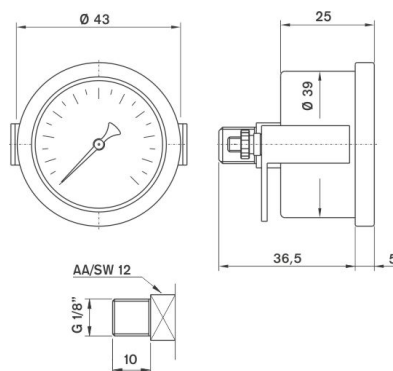
Model No: MG040DRP1-V14

Bottom Connection



Model No: MG040DRP2-V14

Back Connection



Model No: MG040DRP3-V14

Back Connection Panel Mounted